

Parts List

Table with 3 columns: Ref, IPN, Description. Lists various electronic components like capacitors, diodes, and ICs with their reference numbers and part numbers.

Parts List

Table with 3 columns: Ref, IPN, Description. Lists various electronic components including resistors, film capacitors, and connectors.

Grid Reference Index

Table with 3 columns: Device, PCB, Circuit. Provides a grid reference index for components, listing device names, PCB locations, and circuit identifiers.



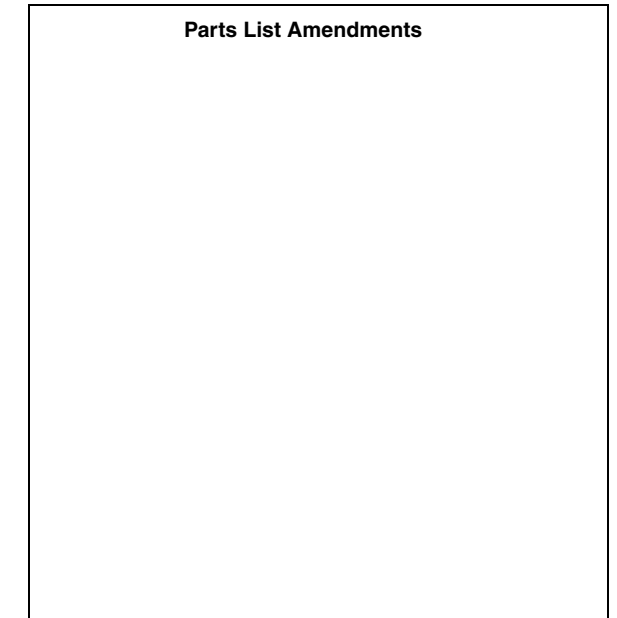
PCB Information Pack Tait T2000

PCB Layout UART Options Parts List 220-01251-02 IPN 403-01251-02

Mechanical Parts and Miscellaneous Parts

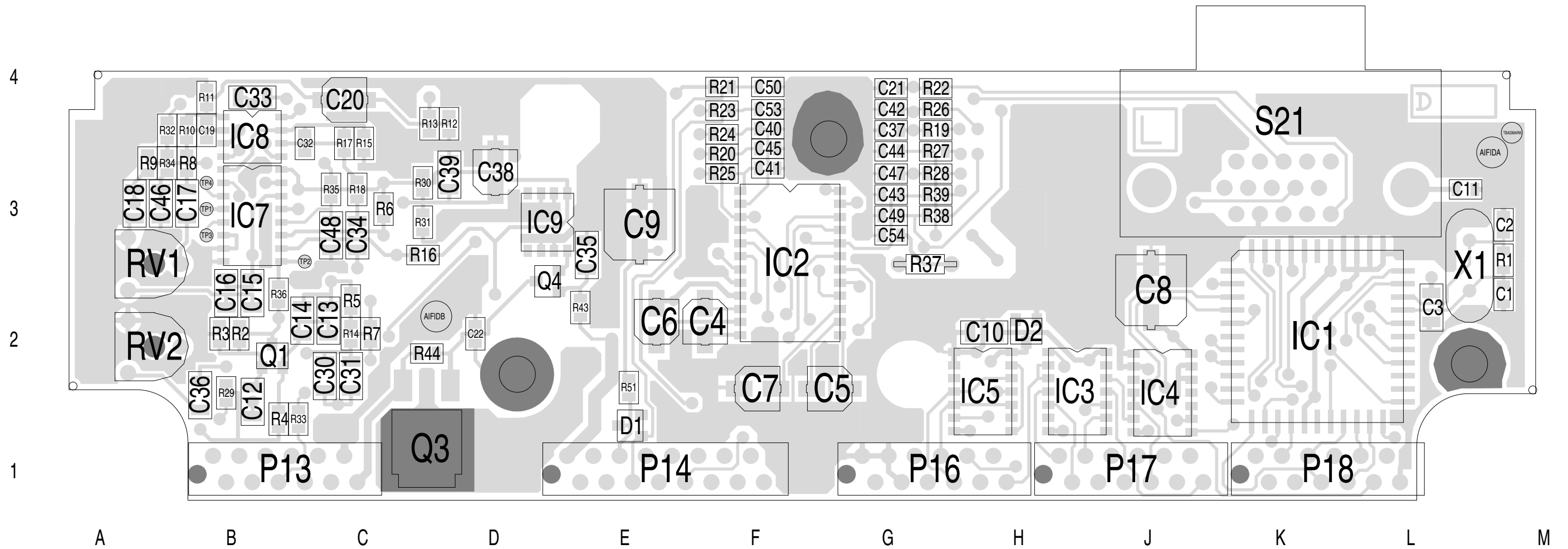
Table with 2 columns: IPN, Description. Lists mechanical and miscellaneous parts like core boards, plugs, and fasteners.

Parts List Amendments



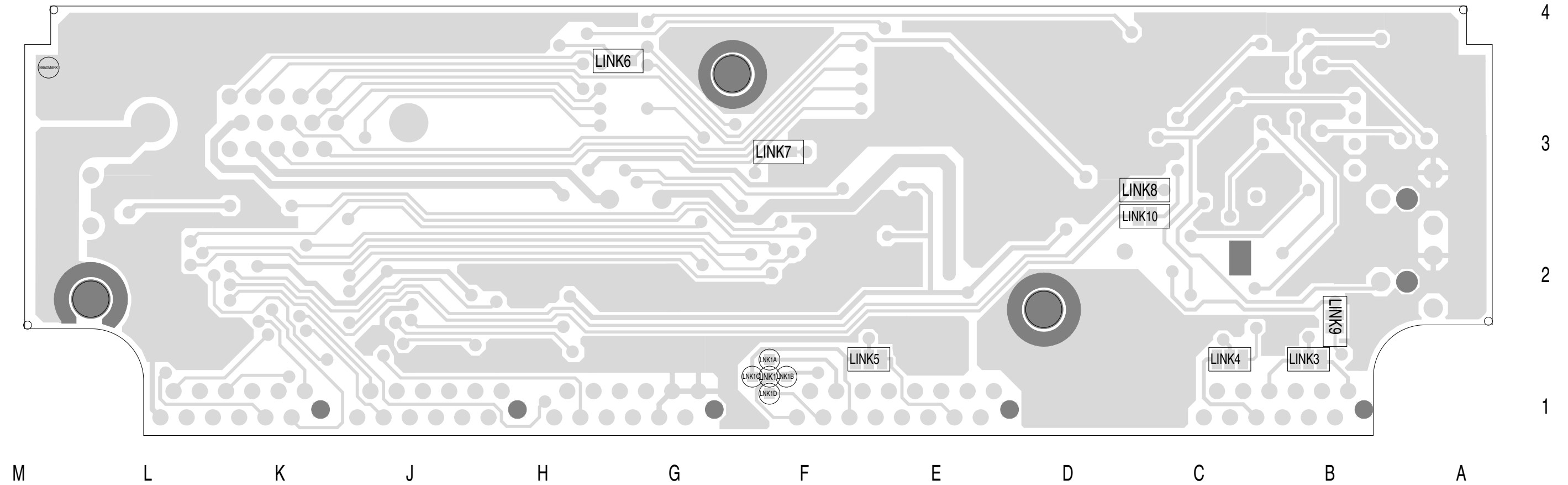
This document can be printed on A3 as single-sided, double-sided, unfolded or z-folded.





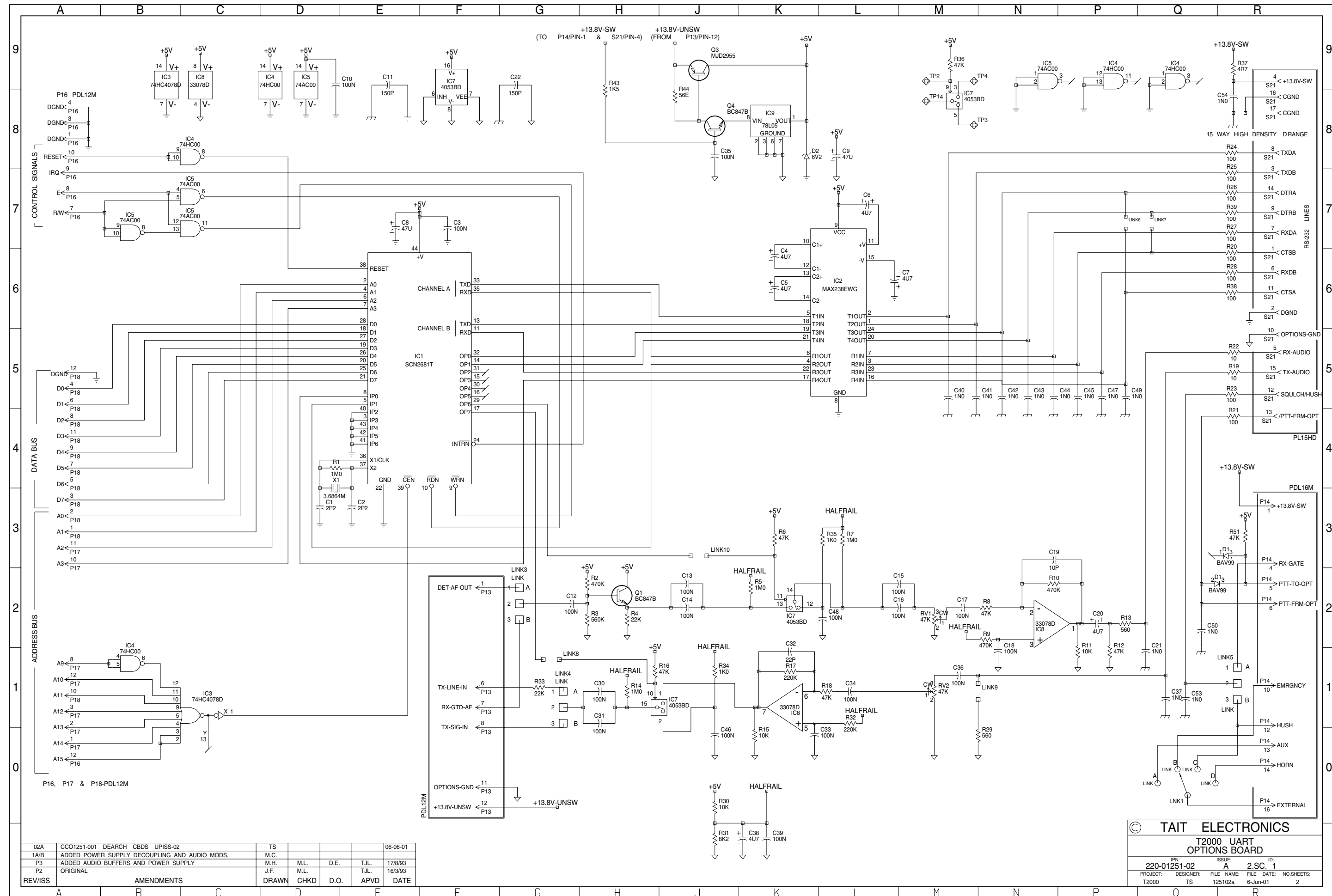
TAIT ELECTRONICS	IPN: 220-01251-02	ISS: A	ID: 1.TA	DATE: 6 Jun 2001
T2000-60 PCB LAYOUT - TOP SIDE				

Scale:2.3:1 ; Rotation: 0 degrees



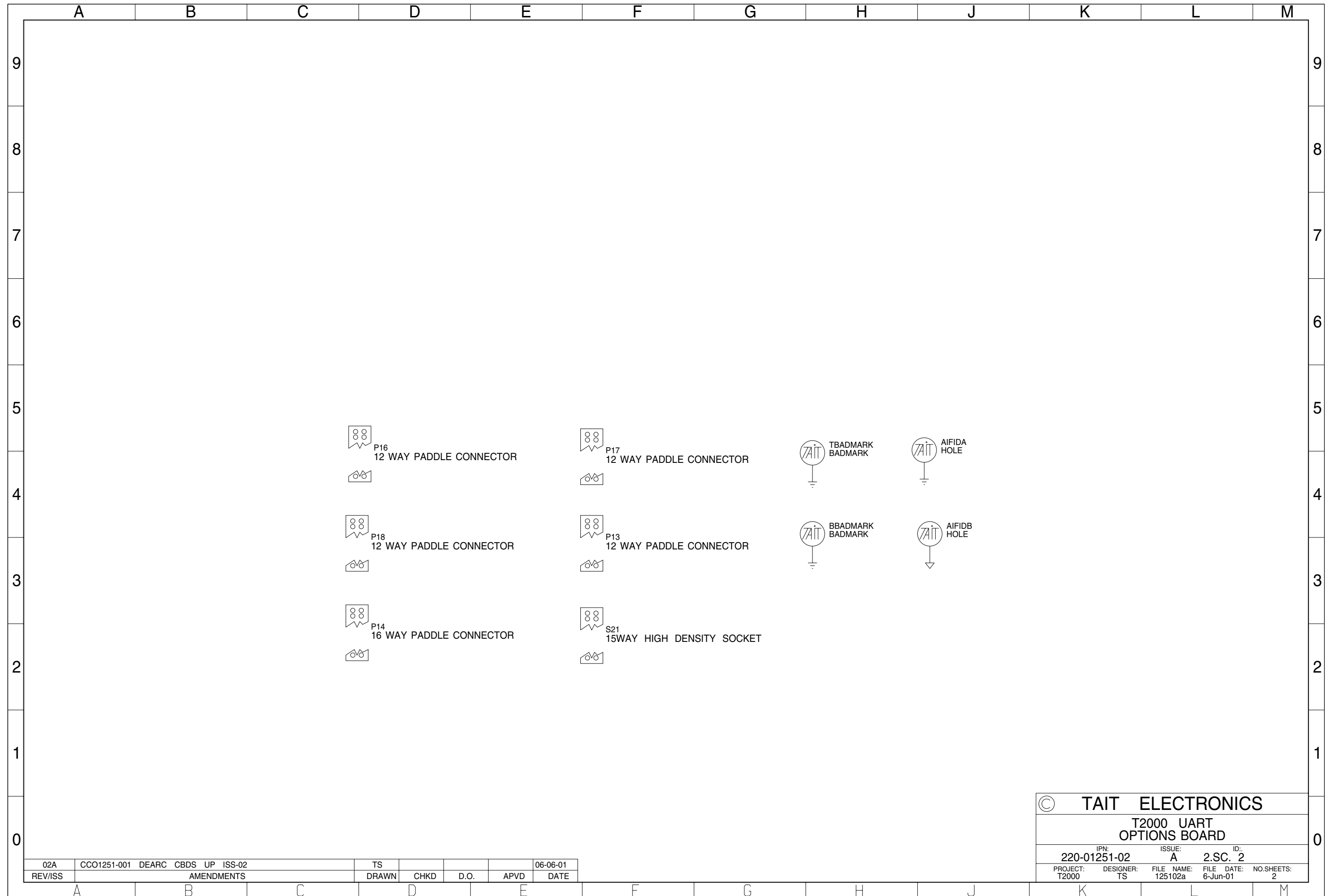
TAIT ELECTRONICS	IPN: 220-01251-02	ISS: A	ID: 2.BA	DATE: 6 Jun 2001
T2000-60 PCB LAYOUT - BOTTOM SIDE				

Scale:2.3:1 ; Rotation: 0 degrees



02A	CCO1251-001	DEARCH	CBDS	UIPSS-02	TS				06-06-01
1A/B	ADDED POWER SUPPLY DECOUPLING AND AUDIO MODS.				M.C.				
P3	ADDED AUDIO BUFFERS AND POWER SUPPLY				M.H.	M.L.	D.E.	T.J.L.	17/8/93
P2	ORIGINAL				J.F.	M.L.		T.J.L.	16/3/93
REV/ISS	AMENDMENTS				DRAWN	CHKD	D.O.	APVD	DATE

© TAIT ELECTRONICS			
T2000 UART OPTIONS BOARD			
IPN:	ISSUE:	ID:	
220-01251-02	A	2.S.C. 1	
PROJECT:	DESIGNER:	FILE NAME:	FILE DATE:
T2000	TS	125102a	6-Jun-01
			NO.SHEETS:
			2



02A	CCO1251-001 DEARC CBDS UP ISS-02	TS			06-06-01
REV/ISS	AMENDMENTS	DRAWN	CHKD	D.O.	APVD DATE

© TAIT ELECTRONICS			
T2000 UART OPTIONS BOARD			
IPN: 220-01251-02	ISSUE: A	ID: 2.SC. 2	
PROJECT: T2000	DESIGNER: TS	FILE NAME: 125102a	FILE DATE: NO.SHEETS: 6-Jun-01 2